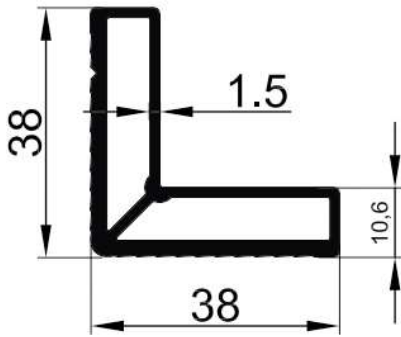
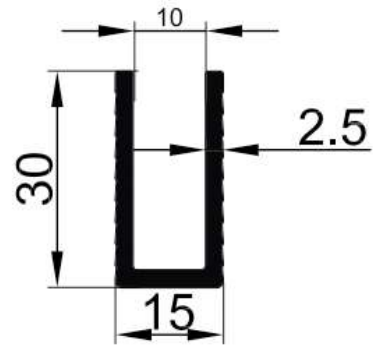


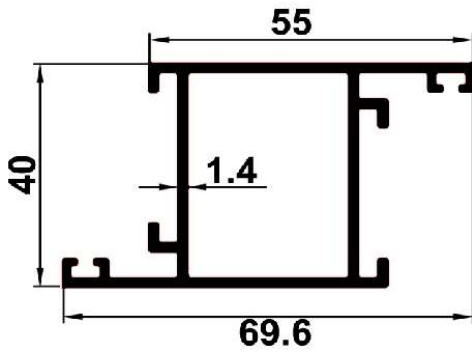
CASEMENT SERIES -40MM



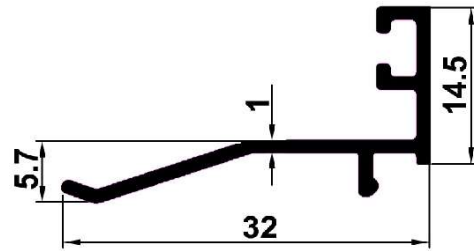
SL.NO.	SECTION NO.	WEIGHT(KG/M)
1	2707	0.800



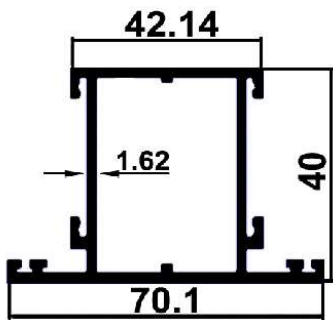
SL.NO.	SECTION NO.	WEIGHT(KG/M)
1	2708	0.457



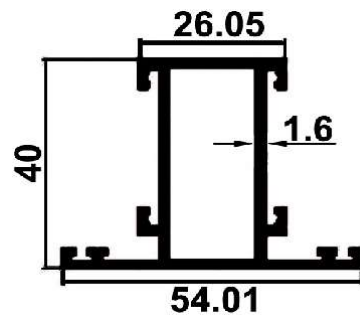
SL.NO.	SECTION NO.	WEIGHT(KG/M)
1	2848	0.839



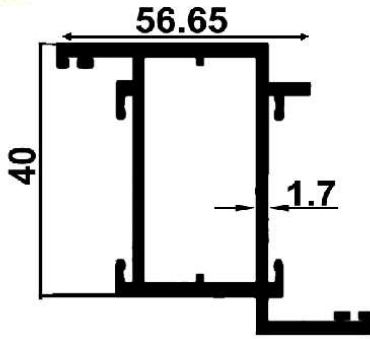
SL.NO.	SECTION NO.	WEIGHT(KG/M)
1	2849	0.162



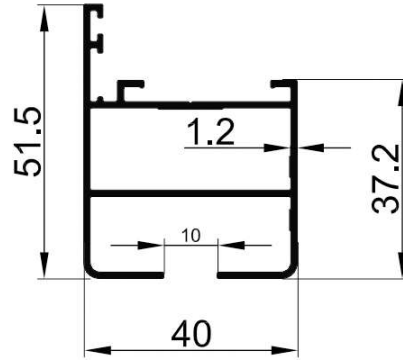
SL.NO.	SECTION NO.	WEIGHT(KG/M)
1	2850	0.731
2	2866	0.923



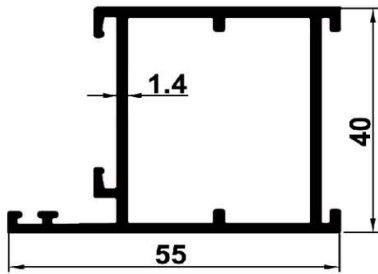
SL.NO.	SECTION NO.	WEIGHT(KG/M)
1	2851	0.650
2	2868	0.840



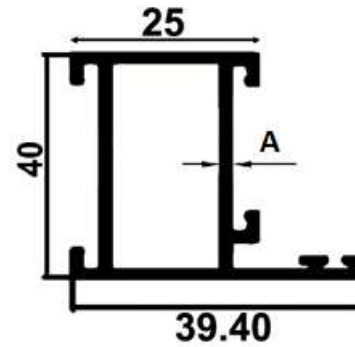
SL.NO.	SECTION NO.	WEIGHT(KG/M)
1	2852	0.650
2	2867	0.840



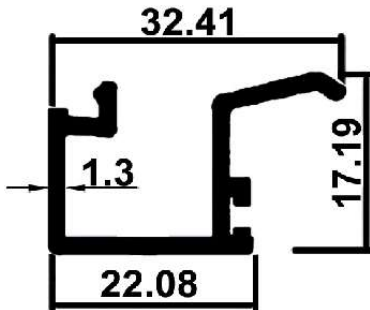
SL.NO.	SECTION NO.	WEIGHT(KG/M)
1	2865	0.693



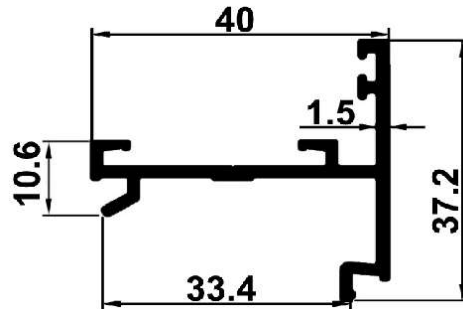
SL.NO.	SECTION NO.	WEIGHT(KG/M)
1	2853	0.728



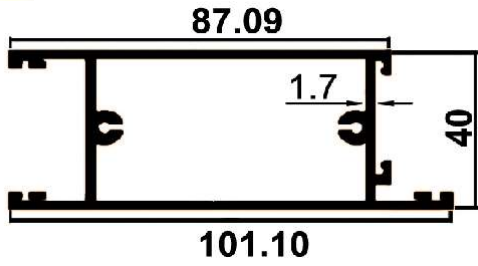
SL.NO.	SECTION NO.	A	WEIGHT(KG/M)
1	2854	1.60	0.547
2	2855	2.00	0.767



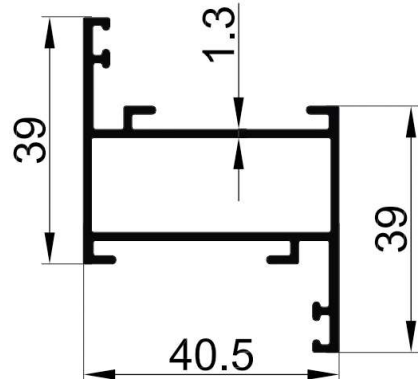
SL.NO.	SECTION NO.	WEIGHT(KG/M)
1	2856	0.209



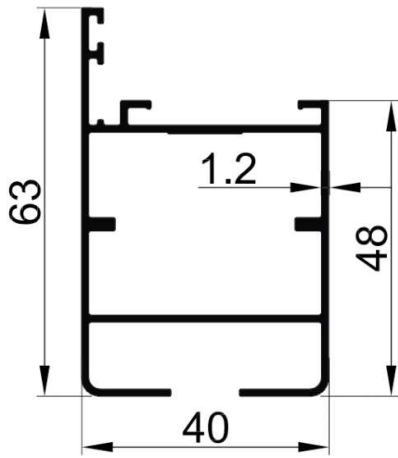
SL.NO.	SECTION NO.	WEIGHT(KG/M)
1	2857	0.407



SL.NO.	SECTION NO.	WEIGHT(KG/M)
1	2858	1.085



SL.NO.	SECTION NO.	WEIGHT(KG/M)
1	2889	0.696



SL.NO.	SECTION NO.	WEIGHT(KG/M)
1	2890	0.808